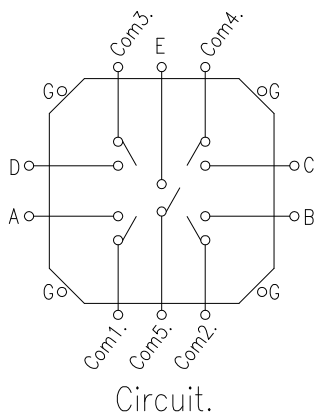
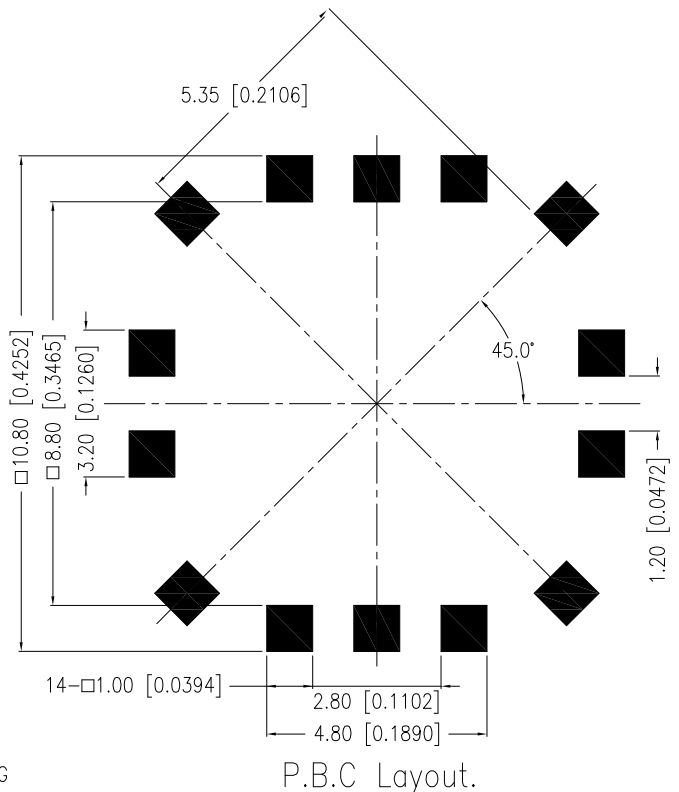
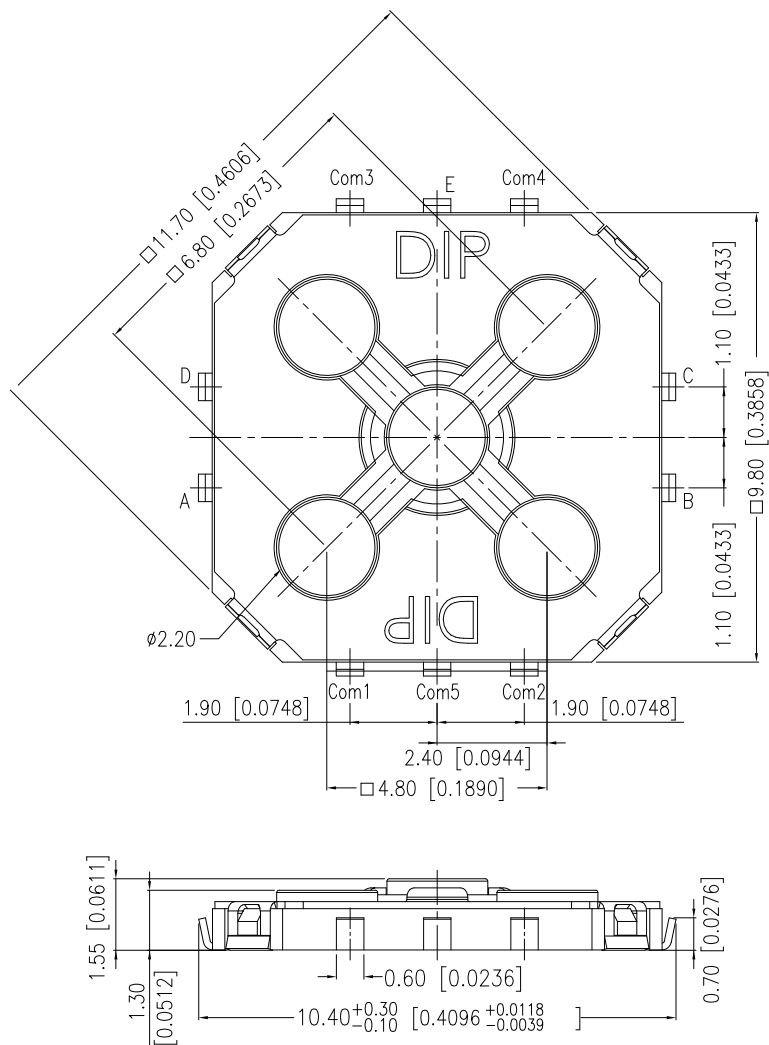


TT5 SERIES



**DIMENSIONS**

TT5



General Tolerance :  $\pm 0.2\text{mm}$

**HOW TO ORDER**

TT5 -  -

Package :  
B = Tube  
T/R = Tape & Reel

RoHS & Lead Free Solderable

Thinner Multi Function

**SPECIFICATION**

**MECHANICAL**

Operation Force : Side : 180 $\pm$ 60gf  
Center : 320 $\pm$ 80/-60gf  
Stroke : 0.25 $\pm$ 0.15mm  
Operation Temperature Range : -20°C to +70°C  
Storage Temperature Range : -40°C to +85°C

**ELECTRICAL**

Electrical Life: 200,000 cycles  
Rating: 50mA, 12VDC  
Contact Resistance: 100m $\Omega$  max.  
Insulation Resistance: 100M $\Omega$  min. at 500 V DC  
Dielectric Strength: 250 VAC / 1 minute  
Contact Arrangement: 1 pole 1 throw

**MATERIAL**

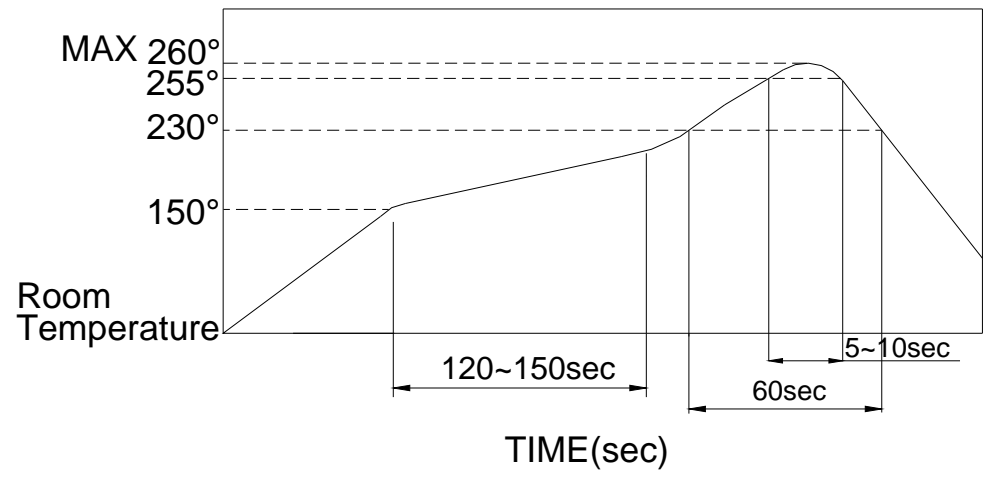
BASE : High-Temp Thermoplastic Nylon UL 94V-0  
COVER : Nickel silver  
STEM : High-Temp Thermoplastic Nylon UL 94V-0  
COLOR : BLACK  
CONTACT Disc : Stainless with silver cladding  
TERMINAL: Brass with silver plated  
TAPE: Teflon

# SOLDERING PROCESSES

△ **HAND SOLDERING** : Use a soldering iron of 30 watts, controlled at 350°C approximately max 5 seconds.

△ **REFLOW SOLDERING**: When applying reflow soldering, the peak temperature or the reflow Oven should be set at 260°C max.

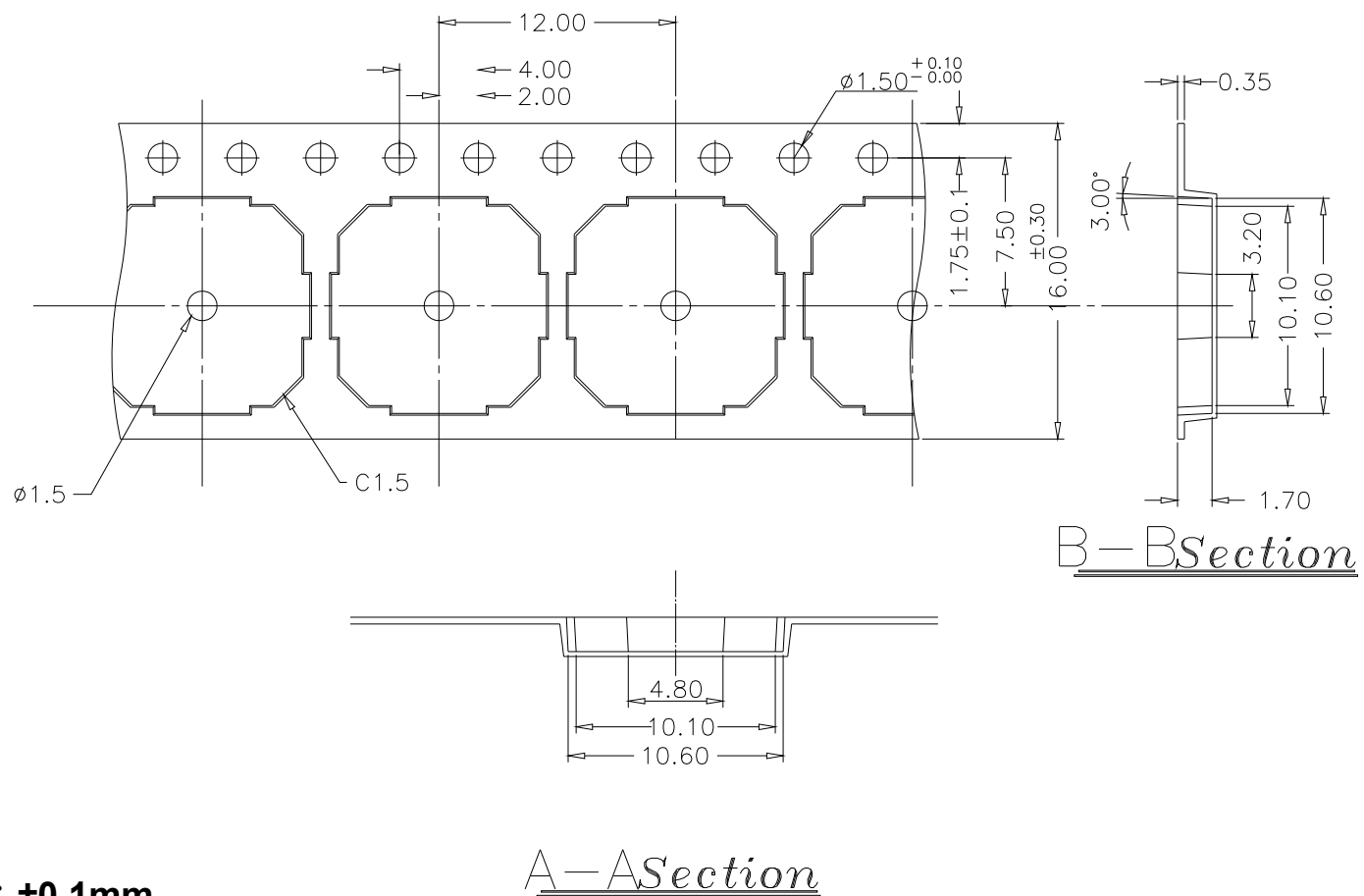
△ **Reflow Temperature Profile:**



## PACKING

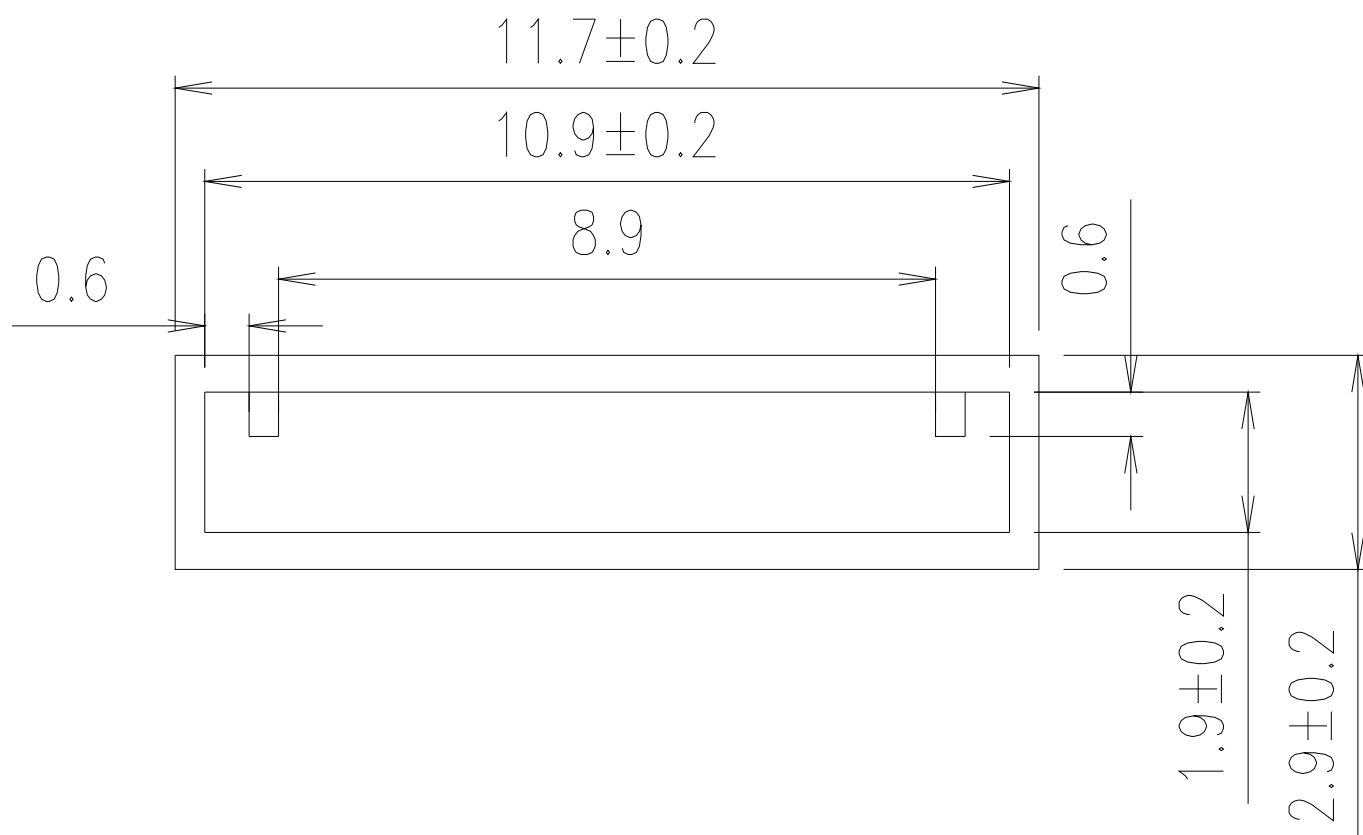
Part Number	Number Per Tube	Part Number	Number Per Tube
TT5-V	47	2500	-

### TT5 REEL



General Tolerance : ±0.1mm

### TT5 TUBE



General Tolerance : ±0.2mm